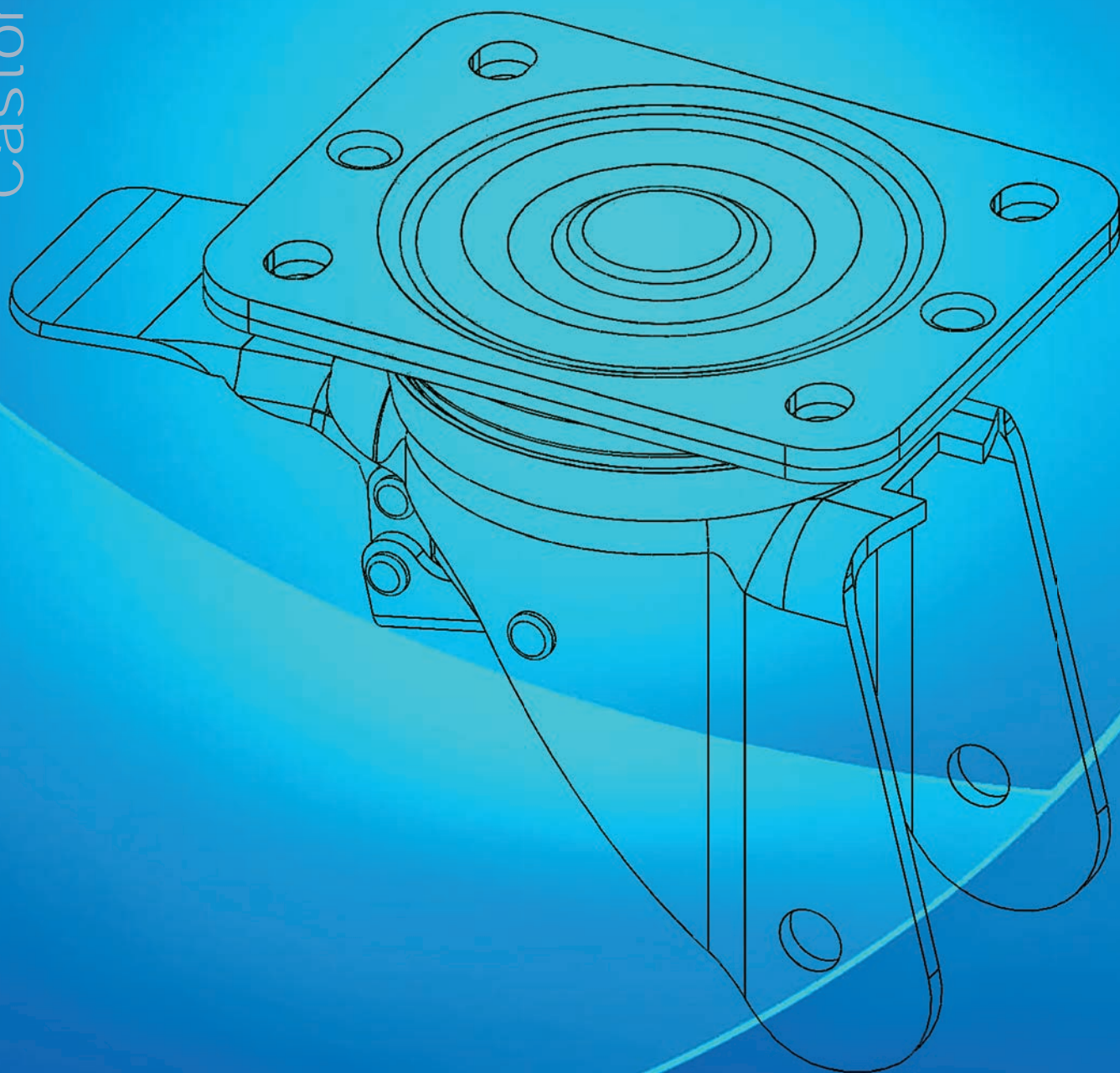


Castors and Wheels



ecowheel

ITALIA



A11 Series

Apparatus Castor



Art No.:



Art No.:



Art No.:



Art No.:



A.SW11.P12.050	A.SB11.P12.050	A.BH11.P12.050	A.BK11.P12.050	50	20	75	70x50	54x40	6	60
A.SW11.P12.075	A.SB11.P12.075	A.BH11.P12.075	A.BK11.P12.075	75	22	103	70x50	54x40	6	80



A.SW11.P15.075	A.SB11.P15.075	A.BH11.P15.075	A.BK11.P15.075	75	25	103	70x50	54x40	6	80



A.SW11.B15.075	A.SB11.B15.075	A.BH11.B15.075	A.BK11.B15.075	75	25	103	70x50	54x40	6	80

plate option : rectangular & diamond



Art No.:



Art No.:



A.SW12.B30.058		58	34	96	110x80	86x60	9	200
	A.SW12.B30.058				110x70	89		
A.SW12.B30.070		70	34	102	110x80	86x60	9	200
	A.SW12.B30.070				110x70	89		



A.SW12.B30.058a		58	34	96	110x80	86x60	9	200
	A.SW12.B30.058a				110x70	89		
A.SW12.B30.070a		70	34	102	110x80	86x60	9	200
	A.SW12.B30.070a				110x70	89		



A.SW12.B30.058b		58	34	96	110x80	86x60	9	200
	A.SW12.B30.058b				110x70	89		
A.SW12.B30.070b		70	34	102	110x80	86x60	9	200
	A.SW12.B30.070b				110x70	89		



Industrial Castor



I 01 Series



I.SW01.R40.080	I.SB01.R40.080	I.FX01.R40.080	80	25	106	105x80	80x60	9	50
I.SW01.R40.100	I.SB01.R40.100	I.FX01.R40.100	100	30	128	105x80	80x60	9	70
I.SW01.R40.125	I.SB01.R40.125	I.FX01.R40.125	125	37	156	105x80	80x60	9	100
I.SW01.R40.140	I.SB01.R40.140	I.FX01.R40.140	140	37	175	105x80	80x60	9	115
I.SW01.R40.160	I.SB01.R40.160	I.FX01.R40.160	160	40	195	135x110	105x80	11	135
I.SW01.R40.180	I.SB01.R40.180	I.FX01.R40.180	180	45	218	135x110	105x80	11	170
I.SW01.R40.200	I.SB01.R40.200	I.FX01.R40.200	200	50	235	135x110	105x80	11	200
I.SW01.R40.250	I.SB01.R40.250	I.FX01.R40.250	250	50	290	135x110	105x80	11	220

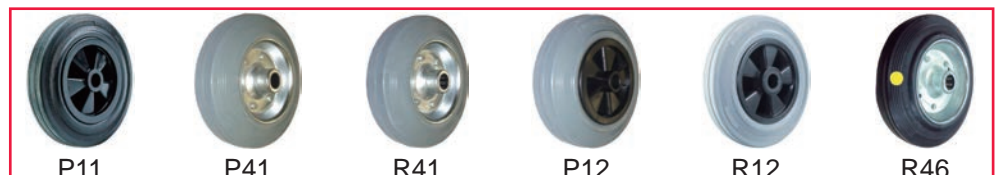


I.SW01.R40.080a	I.SB01.R40.080a	I.FX01.R40.080a	80	25	106	105x80	80x60	9	50
I.SW01.R40.100a	I.SB01.R40.100a	I.FX01.R40.100a	100	30	128	105x80	80x60	9	70
I.SW01.R40.125a	I.SB01.R40.125a	I.FX01.R40.125a	125	37	156	105x80	80x60	9	100
I.SW01.R40.150a	I.SB01.R40.150a	I.FX01.R40.150a	150	37	190	135x110	105x80	9	115
I.SW01.R40.160a	I.SB01.R40.160a	I.FX01.R40.160a	160	40	195	135x110	105x80	11	135
I.SW01.R40.200a	I.SB01.R40.200a	I.FX01.R40.200a	200	50	235	135x110	105x80	11	200



I.SW01.R11.080	I.SB01.R11.080	I.FX01.R11.080	80	25	106	105x80	80x60	9	50
I.SW01.R11.100	I.SB01.R11.100	I.FX01.R11.100	100	30	128	105x80	80x60	9	70
I.SW01.R11.125	I.SB01.R11.125	I.FX01.R11.125	125	37	156	105x80	80x60	9	100
I.SW01.R11.140	I.SB01.R11.140	I.FX01.R11.140	140	37	175	105x80	80x60	9	115
I.SW01.R11.160	I.SB01.R11.160	I.FX01.R11.160	160	40	195	135x110	105x80	11	135
I.SW01.R11.200	I.SB01.R11.200	I.FX01.R11.200	200	50	235	135x110	105x80	11	180
I.SW01.R11.250	I.SB01.R11.250	I.FX01.R11.250	250	50	290	135x110	105x80	11	200

optional wheels





Art No.:



Art No.:



I.BH01.R40.080	I.BK01.R40.080	80	25	106	12.5	50
I.BH01.R40.100	I.BK01.R40.100	100	30	128	12.5	70
I.BH01.R40.125	I.BK01.R40.125	125	37	156	12.5	100
I.BH01.R40.140	I.BK01.R40.140	140	37	175	12.5	115
I.BH01.R40.160	I.BK01.R40.160	160	40	195	12.5	135
I.BH01.R40.180	I.BK01.R40.180	180	45	218	12.5	170
I.BH01.R40.200	I.BK01.R40.200	200	50	235	12.5	200
I.BH01.R40.250	I.BK01.R40.250	250	50	290	12.5	220



I.BH01.R40.080a	I.BK01.R40.080a	80	25	106	12.5	50
I.BH01.R40.100a	I.BK01.R40.100a	100	30	128	12.5	70
I.BH01.R40.125a	I.BK01.R40.125a	125	37	156	12.5	100
I.BH01.R40.150a	I.BK01.R40.150a	150	37	190	12.5	115
I.BH01.R40.160a	I.BK01.R40.160a	160	40	195	12.5	135
I.BH01.R40.200a	I.BK01.R40.200a	200	50	235	12.5	200



I.BH01.R11.080	I.BK01.R11.080	80	25	106	12.5	50
I.BH01.R11.100	I.BK01.R11.100	100	30	128	12.5	70
I.BH01.R11.125	I.BK01.R11.125	125	37	156	12.5	100
I.BH01.R11.140	I.BK01.R11.140	140	37	175	12.5	115
I.BH01.R11.160	I.BK01.R11.160	160	40	195	12.5	135
I.BH01.R11.200	I.BK01.R11.200	200	50	235	12.5	180
I.BH01.R11.250	I.BK01.R11.250	250	50	290	12.5	200



I 01 Series



I.SW01.R10.080	I.SB01.R10.080	I.FX01.R10.080	80	25	106	105x80	80x60	9	50
I.SW01.R10.100	I.SB01.R10.100	I.FX01.R10.100	100	35	128	105x80	80x60	9	70
I.SW01.R10.125	I.SB01.R10.125	I.FX01.R10.125	125	37	156	105x80	80x60	9	100
I.SW01.R10.150	I.SB01.R10.150	I.FX01.R10.150	150	40	190	135x100	105x80	11	135
I.SW01.R10.200	I.SB01.R10.200	I.FX01.R10.200	200	50	235	135x110	105x80	11	200



I.SW01.P30.080	I.SB01.P30.080	I.FX01.P30.080	80	25	106	105x80	80x60	9	50
I.SW01.P30.100	I.SB01.P30.100	I.FX01.P30.100	100	35	128	105x80	80x60	9	70
I.SW01.P30.125	I.SB01.P30.125	I.FX01.P30.125	125	37	156	105x80	80x60	9	100
I.SW01.P30.150	I.SB01.P30.150	I.FX01.P30.150	150	40	190	135x100	105x80	11	135
I.SW01.P30.200	I.SB01.P30.200	I.FX01.P30.200	200	50	235	135x110	105x80	11	200



I.SW01.P19.080	I.SB01.P19.080	I.FX01.P19.080	80	25	106	105x80	80x60	9	50
I.SW01.P19.100	I.SB01.P19.100	I.FX01.P19.100	100	35	128	105x80	80x60	9	70
I.SW01.P19.125	I.SB01.P19.125	I.FX01.P19.125	125	37	156	105x80	80x60	9	100
I.SW01.P19.150	I.SB01.P19.150	I.FX01.P19.150	150	40	190	135x100	105x80	11	135
I.SW01.P19.200	I.SB01.P19.200	I.FX01.P19.200	200	50	235	135x110	105x80	11	200

optional wheels





"INOX" type is available


Art No.:


Art No.:



I.BH01.R10.080	I.BK01.R10.080	80	25	106	12.5	50
I.BH01.R10.100	I.BK01.R10.100	100	35	128	12.5	70
I.BH01.R10.125	I.BK01.R10.125	125	37	156	12.5	100
I.BH01.R10.150	I.BK01.R10.150	150	40	190	12.5	135
I.BH01.R10.200	I.BK01.R10.200	200	50	235	12.5	200



I.BH01.P30.080	I.BK01.P30.080	80	25	106	12.5	50
I.BH01.P30.100	I.BK01.P30.100	100	35	128	12.5	70
I.BH01.P30.125	I.BK01.P30.125	125	37	156	12.5	100
I.BH01.P30.150	I.BK01.P30.150	150	40	190	12.5	135
I.BH01.P30.200	I.BK01.P30.200	200	50	235	12.5	200



I.BH01.P19.080	I.BK01.P19.080	80	25	106	12.5	50
I.BH01.P19.100	I.BK01.P19.100	100	35	128	12.5	70
I.BH01.P19.125	I.BK01.P19.125	125	37	156	12.5	100
I.BH01.P19.150	I.BK01.P19.150	150	40	190	12.5	135
I.BH01.P19.200	I.BK01.P19.200	200	50	235	12.5	200



plate with slope hole or round hole are available



I 01 Series



I.SW01.R13.080	I.SB01.R13.080	I.FX01.R13.080	80	25	106	105x80	80x60	9	100
I.SW01.R13.100	I.SB01.R13.100	I.FX01.R13.100	100	30	128	105x80	80x60	9	120
I.SW01.R13.125	I.SB01.R13.125	I.FX01.R13.125	125	37	156	105x80	80x60	9	150
I.SW01.R13.160	I.SB01.R13.160	I.FX01.R13.160	160	40	195	135x100	105x80	11	200
I.SW01.R13.200	I.SB01.R13.200	I.FX01.R13.200	200	50	235	135x110	105x80	11	250

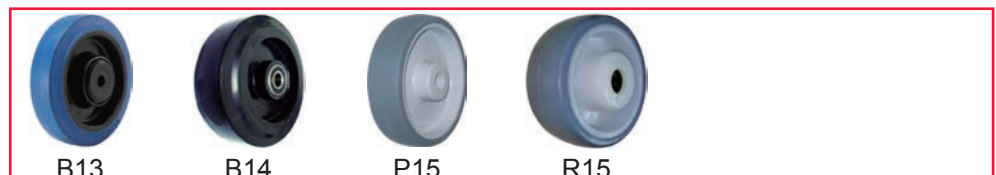


I.SW01.B15.080	I.SB01.B15.080	I.FX01.B15.080	80	25	106	105x80	80x60	9	100
I.SW01.B15.100	I.SB01.B15.100	I.FX01.B15.100	100	30	128	105x80	80x60	9	120
I.SW01.B15.125	I.SB01.B15.125	I.FX01.B15.125	125	37	156	105x80	80x60	9	150
I.SW01.B15.160	I.SB01.B15.160	I.FX01.B15.160	160	40	195	135x100	105x80	11	200
I.SW01.B15.200	I.SB01.B15.200	I.FX01.B15.200	200	50	235	135x110	105x80	11	250



I.SW01.R14.080	I.SB01.R14.080	I.FX01.R14.080	80	25	106	105x80	80x60	9	100
I.SW01.R14.100	I.SB01.R14.100	I.FX01.R14.100	100	30	128	105x80	80x60	9	120
I.SW01.R14.125	I.SB01.R14.125	I.FX01.R14.125	125	37	156	105x80	80x60	9	150
I.SW01.R14.160	I.SB01.R14.160	I.FX01.R14.160	160	40	195	135x100	105x80	11	200
I.SW01.R14.200	I.SB01.R14.200	I.FX01.R14.200	200	50	235	135x110	105x80	11	250

optional wheels





"INOX" type is available



Art No.:



Art No.:



kg

I.BH01.R13.080	I.BK01.R13.080	80	25	106	12.5	100
I.BH01.R13.100	I.BK01.R13.100	100	30	128	12.5	120
I.BH01.R13.125	I.BK01.R13.125	125	37	156	12.5	150
I.BH01.R13.160	I.BK01.R13.160	160	40	195	12.5	200
I.BH01.R13.200	I.BK01.R13.200	200	50	235	12.5	250



I.BH01.B15.080	I.BK01.B15.080	80	25	106	12.5	100
I.BH01.B15.100	I.BK01.B15.100	100	30	128	12.5	120
I.BH01.B15.125	I.BK01.B15.125	125	37	156	12.5	150
I.BH01.B15.160	I.BK01.B15.160	160	40	195	12.5	200
I.BH01.B15.200	I.BK01.B15.200	200	50	235	12.5	250



I.BH01.R14.080	I.BK01.R14.080	80	25	106	12.5	100
I.BH01.R14.100	I.BK01.R14.100	100	30	128	12.5	120
I.BH01.R14.125	I.BK01.R14.125	125	37	156	12.5	150
I.BH01.R14.160	I.BK01.R14.160	160	40	195	12.5	200
I.BH01.R14.200	I.BK01.R14.200	200	50	235	12.5	250



plate with slope hole or round hole are available



I 01 Series



I.SW01.B51.080	I.SB01.B51.080	I.FX01.B51.080	80	25	106	105x80	80x60	9	100
I.SW01.B51.100	I.SB01.B51.100	I.FX01.B51.100	100	30	128	105x80	80x60	9	120
I.SW01.B51.125	I.SB01.B51.125	I.FX01.B51.125	125	37	156	105x80	80x60	9	150
I.SW01.B51.150	I.SB01.B51.150	I.FX01.B51.150	150	37	190	135x110	105x80	9	200
I.SW01.B51.160	I.SB01.B51.160	I.FX01.B51.160	160	40	195	135x110	105x80	11	200
I.SW01.B51.180	I.SB01.B51.180	I.FX01.B51.180	180	45	218	135x110	105x80	11	250
I.SW01.B51.200	I.SB01.B51.200	I.FX01.B51.200	200	50	235	135x110	105x80	11	250
I.SW01.B51.250	I.SB01.B51.250	I.FX01.B51.250	250	50	290	135x110	105x80	11	300



I.SW01.B61.080	I.SB01.B61.080	I.FX01.B61.080	80	25	106	105x80	80x60	9	100
I.SW01.B61.100	I.SB01.B61.100	I.FX01.B61.100	100	30	128	105x80	80x60	9	120
I.SW01.B61.125	I.SB01.B61.125	I.FX01.B61.125	125	37	156	105x80	80x60	9	150
I.SW01.B61.150	I.SB01.B61.150	I.FX01.B61.150	150	37	190	135x110	105x80	9	200
I.SW01.B61.160	I.SB01.B61.160	I.FX01.B61.160	160	40	195	135x110	105x80	11	200
I.SW01.B61.180	I.SB01.B61.180	I.FX01.B61.180	180	45	218	135x110	105x80	11	250
I.SW01.B61.200	I.SB01.B61.200	I.FX01.B61.200	200	50	235	135x110	105x80	11	250
I.SW01.B61.250	I.SB01.B61.250	I.FX01.B61.250	250	50	290	135x110	105x80	11	300



I.SW01.B52.080	I.SB01.B52.080	I.FX01.B52.080	80	25	106	105x80	80x60	9	100
I.SW01.B52.100	I.SB01.B52.100	I.FX01.B52.100	100	30	128	105x80	80x60	9	120
I.SW01.B52.125	I.SB01.B52.125	I.FX01.B52.125	125	37	156	105x80	80x60	9	150
I.SW01.B52.150	I.SB01.B52.150	I.FX01.B52.150	150	37	190	135x110	105x80	9	200
I.SW01.B52.160	I.SB01.B52.160	I.FX01.B52.160	160	40	195	135x110	105x80	11	200
I.SW01.B52.180	I.SB01.B52.180	I.FX01.B52.180	180	45	218	135x110	105x80	11	250
I.SW01.B52.200	I.SB01.B52.200	I.FX01.B52.200	200	50	235	135x110	105x80	11	250
I.SW01.B52.250	I.SB01.B52.250	I.FX01.B52.250	250	50	290	135x110	105x80	11	300

optional wheels



B51a

B53

B53a

R60

B61a





I.BH01.B51.080	I.BK01.B51.080	80	25	106	12.5	100
I.BH01.B51.100	I.BK01.B51.100	100	30	128	12.5	120
I.BH01.B51.125	I.BK01.B51.125	125	37	156	12.5	150
I.BH01.B51.150	I.BK01.B51.150	150	37	190	12.5	200
I.BH01.B51.160	I.BK01.B51.160	160	40	195	12.5	200
I.BH01.B51.180	I.BK01.B51.180	180	45	218	12.5	250
I.BH01.B51.200	I.BK01.B51.200	200	50	235	12.5	250
I.BH01.B51.250	I.BK01.B51.250	250	50	290	12.5	300



I.BH01.B61.080	I.BK01.B61.080	80	25	106	12.5	100
I.BH01.B61.100	I.BK01.B61.100	100	30	128	12.5	120
I.BH01.B61.125	I.BK01.B61.125	125	37	156	12.5	150
I.BH01.B61.150	I.BK01.B61.150	150	37	190	12.5	200
I.BH01.B61.160	I.BK01.B61.160	160	40	195	12.5	200
I.BH01.B61.180	I.BK01.B61.180	180	45	218	12.5	250
I.BH01.B61.200	I.BK01.B61.200	200	50	235	12.5	250
I.BH01.B61.250	I.BK01.B61.250	250	50	290	12.5	300



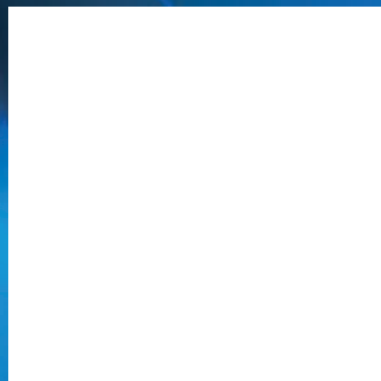
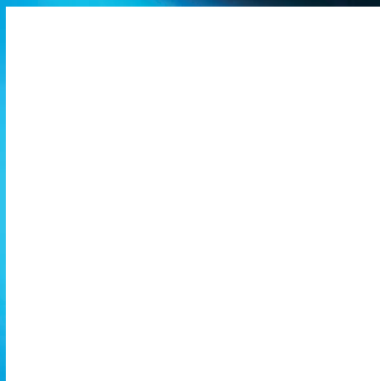
I.BH01.B52.080	I.BK01.B52.080	80	25	106	12.5	100
I.BH01.B52.100	I.BK01.B52.100	100	30	128	12.5	120
I.BH01.B52.125	I.BK01.B52.125	125	37	156	12.5	150
I.BH01.B52.150	I.BK01.B52.150	150	37	190	12.5	200
I.BH01.B52.160	I.BK01.B52.160	160	40	195	12.5	200
I.BH01.B52.180	I.BK01.B52.180	180	45	218	12.5	250
I.BH01.B52.200	I.BK01.B52.200	200	50	235	12.5	250
I.BH01.B52.250	I.BK01.B52.250	250	50	290	12.5	300





ecowheel

ITALIA



ECOWHEEL SRL

TEL: +39 391 4927181

E-mail: info@ecowheelitalia.com
www.ecowheelitalia.com